



KEY FEATURES

- Multi wattage flicker-free driver: 8w/11w/15w/18w (100-110 lm/w)
- Long lifetime of 60.000 L80B10 and 54.000 L90B50
- Dimensions Ø302mm x 71mm
- IP65/IK10
- CCT switch (3000K / 4000K / 5000K) (3 colors in 1, adjustable via dipswitches)
- 3 and 2 STEP-Dim Sensor (100%-25%-0%) or (100%-25%)
- Sensor sensitivity can be adjusted by dipswitches between 1-6 meters
- Wired Master-slave possibilities
- 3 colours trim (white RAL9003 / black RAL9004 / grey RAL7016)
- Emergency battery back-up 3H autonomy (manual)

IP65 IK10  110_{LM/W}  120°

5 PRAGMALUX
YEAR
WARRANTY

DETAILS



Modular design



Back

OPTIONS



ACCESSORIES



Frame White
1000169



Frame Black
1000183



Frame Grey
1000176

SPECIFICATIONS

ITEM CODE	DESCRIPTION	W	LM	LM/W	KELVIN	CRI	INPUT CURRENT	LIFETIME L80
1000152	LED Bulkhead Venus G2 IP65 8W-18W 3000K-5000K 3-CCT 900-2025lm Ø300	8-18	900-2025	110-116	3000/4000/5000	≥80	120	100000
1000152-N	LED Bulkhead Venus G2 IP65 8W-18W 3000K-5000K 3-CCT 900-2025lm Ø300 Emergency	8-18	900-2025	110-116	3000/4000/5000	≥80	120	100000
1000152-S	LED Bulkhead Venus G2 IP65 8W-18W 3000K-5000K 3-CCT 900-2025lm Ø300 Sensor	8-18	900-2025	110-116	3000/4000/5000	≥80	120	100000
1000152-SN	LED Bulkhead Venus G2 IP65 8W-18W 3000K-5000K 3-CCT 900-2025lm Ø300 Sensor + Emergency	8-18	900-2025	110-116	3000/4000/5000	≥80	120	100000

TECHNICAL DATA

ELECTRICAL DATA	
Voltage (V)	220-240
Frequency (Hz)	50/60
Power factor (λ)	≥0.9
Operating mode	Integrated LED Driver
Electrical connection	Max 3x2,5 mm² wire
Total harmonic distortion	≤ 20 %

TEMPERATURES & OPERATING CONDITIONS

Ambient temperature	25°C
Operating temperature	-20 ~ +45°C
Storage temperature	-20 ~ +60°C

COLORS & MATERIALS

Color (Housing)	WhiteRAL9016 BlackRAL9004 GreyRAL7016
Material (Housing)	PC
Material (Reflector)	PC

CERTIFICATES & STANDARDS

Driver certificates	CE
Fixture certificates	CE
Ingress protection	IP65
Protection class	II
Protection class IK	10
IEC	EN IEC 62722-2-1
LM80 (TM21 /) L90B50 (hours)	>50,000

CAPABILITIES

Dimmable	No
Type of connection	Push Terminal, 3-pole
LED Module replacable	No
Installation	Through-wiring Possible

PRAGMALUX

All rights reserved. Pragmalux - PDL Lighting Group B.V. retains the right to modify product specifications without any prior notice or obligation and does not assume any liability for any consequences of using this document. Subject to errors and printing errors. Luminous flux tolerance: +/- 10%. Power consumption tolerance: +/- 10%.

Version: March 2021

Page 1/2

ITEM CODE	DESCRIPTION	DRIVER FAILURE RATE AT 5,000H	INRUSH CURRENT IPEAK (A)	INRUSH CURRENT TWIDTH (µs)	MAX. NO. OF DRIVERS ON MCB TYPE B 10A	MAX. NO. OF DRIVERS ON MCB TYPE B 16A	MAX. NO. OF DRIVERS ON MCB TYPE C 10A	MAX. NO. OF DRIVERS ON MCB TYPE C 16A
1000152	LED Bulkhead Venus G2 IP65 8W-18W 3000K-5000K 3-CCT 900-2025lm Ø300	≤1%	17.5	216	17	27	28	45
1000152-N	LED Bulkhead Venus G2 IP65 8W-18W 3000K-5000K 3-CCT 900-2025lm Ø300 EM	≤1%	17.5	216	17	27	28	45
1000152-S	LED Bulkhead Venus G2 IP65 8W-18W 3000K-5000K 3-CCT 900-2025lm Ø300 S	≤1%	17.5	216	17	27	28	45
1000152-SN	LED Bulkhead Venus G2 IP65 8W-18W 3000K-5000K 3-CCT 900-2025lm Ø300 S+EM	≤1%	17.5	216	17	27	28	45

EXTRA



Black



Grey

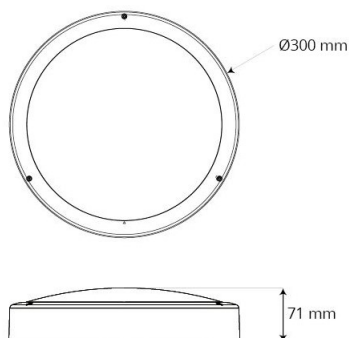


Sensor



CCT/Multi wattage Switch

DIMENSIONS



PHOTOMETRIC SPECIFICATIONS

LED BULKHEAD VENUS G2 16W 4000K

